

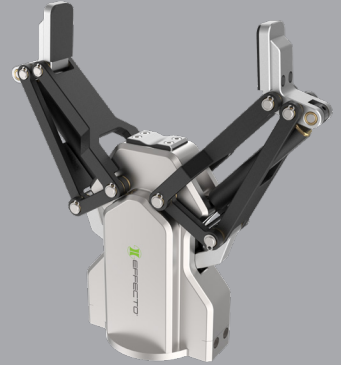
Electric Adaptive Grippers

EAG2-73105 2-Finger

EAG is an electric 2-finger adaptive gripper that is equipped with two symmetrically articulated fingers.

Advantages

- Slim body with one installation positions
- Grip control: force and position adjustment
- Quick open/close time with speed adjustment
- Grip feedback and part detection: gripper status can be read at the PLC/Controller and visualized on the unit via LED's
- Plug and play: mechanical and software interface for major cobot manufacturers
- Multiple communication modes: the gripper supports Modbus RTU protocol and IO mode control. Other protocols such as USB and ETHERNET can be implemented through a protocol converter.
- Grip actuation via embedded controller.
- Brake locking mechanism.



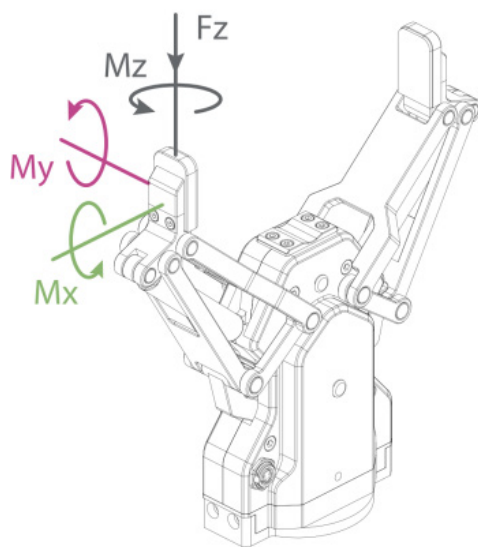
SPECIFICATIONS

Model	Stroke	Gripping Force per Jaw	Total Gripping Force	Opening / Closing Time	Nominal Voltage	Nominal Current	Max Current	Repeatability (Positioning)	Recommended Workpiece Weight*	Weight (fingers excluded)
EAG2-73105	145 mm 5.71 in	35 - 105 N 7.87 - 23.60 lb	70 - 210 N 15.74 - 47.21 lb	0.7 / 0.7 s	24 V DC ± 10%	0.8 A	1.50 A	± 0.03 mm ± 0.001 in	2.00 kg 4.41 lb	1.30 kg 2.87 lb

* Recommended workpiece weight depends on the shape of the part, the material and friction of the contact surface and the acceleration of the motion.

Communication Interface **Standard: Modbus RTU (RS485), Digital I/O**
Optional: TCP/IP, USB2.0, CAN2.0A, PROFINET, EtherCAT

IP Protection Class **IP 54**
Noise Emission (Sound Pressure) **≤ 40 dB(A) in any direction**
Recommended operating environment **0-40 °C (32-104 °F), < 85% RH**



Allowable vertical load (static)

Fz 300 N (67.44 lb)

Allowable moment (static)

Mx 1.95 Nm (17.26 in-lb)

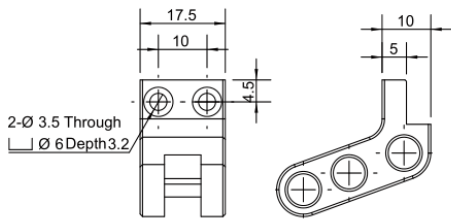
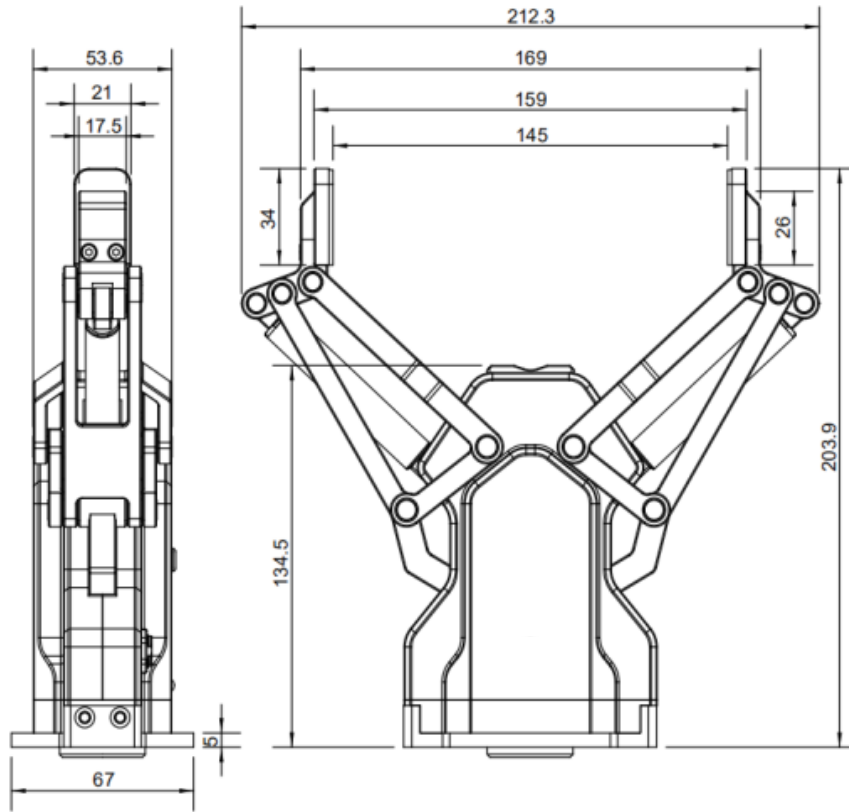
My 1.95 Nm (17.26 in-lb)

Mz 1.95 Nm (17.26 in-lb)

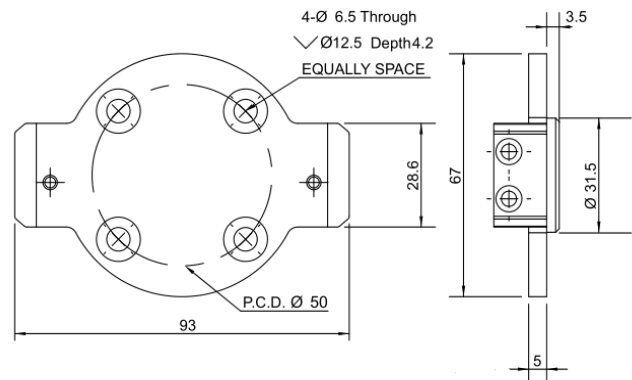
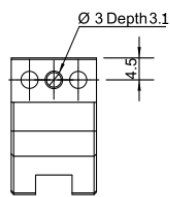


PRODUCT INFORMATION

EAG2-73105 2-Finger



■ Custom fingers mounting size



■ Conform to ISO 9409-1-50-4-M6 standard flange



Applied Robotics
648 Saratoga Road
Glenville, NY 12302 USA
Tel. +1 518 384 1000 Fax +1.5183841200
info@appliedrobotics.com
www.appliedrobotics.com



EFFECTO GROUP S.p.A.
Via Roma, 141/143
28017 San Maurizio d'Opaglio (NO) - Italy
Tel. +39 0322 96142 Fax +39 0322 967453
info@effecto.com
www.effecto.com

