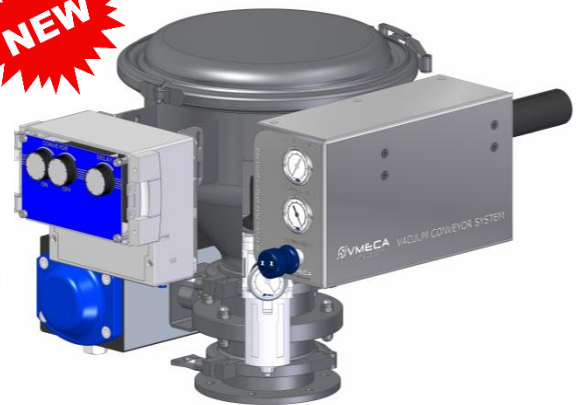


VACUUM CONVEYOR

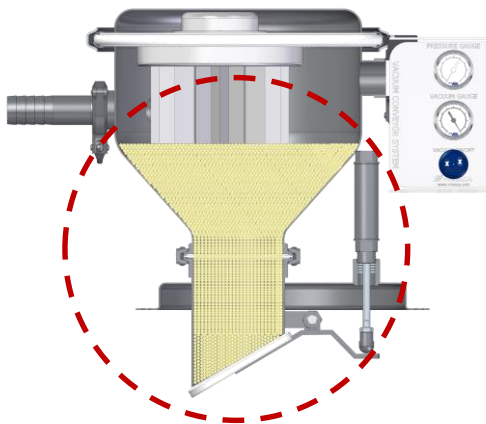
VCC Series

Advantages

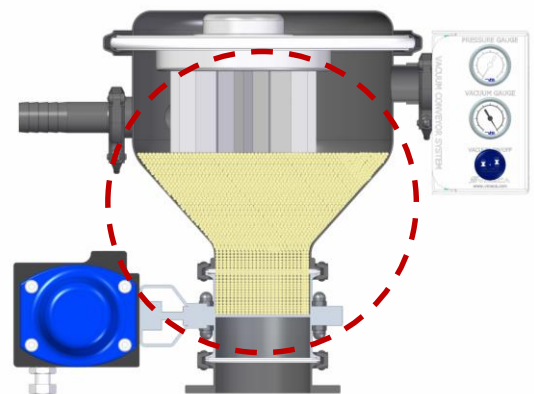
- Minimal Maintenance
- Low Noise Level
- Automatic Filter Cleaning System
- Simple Installation
- Compact Size
- Easy To Clean
- Dustless Conveying
- Acid-Proof
- Polished Stainless Steel
- Easy Maintenance
- Transports Large Amount



- Available Material Volume (liter/cycle)

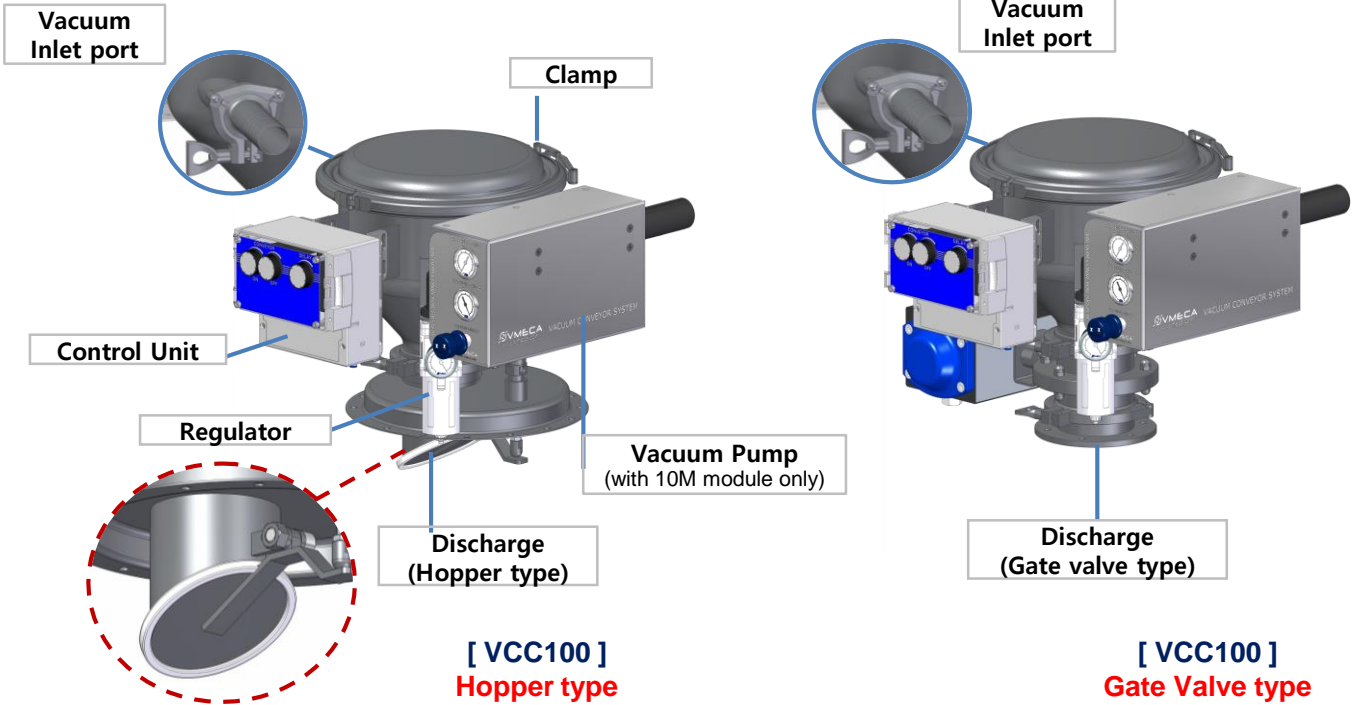


3.8 l / cycle

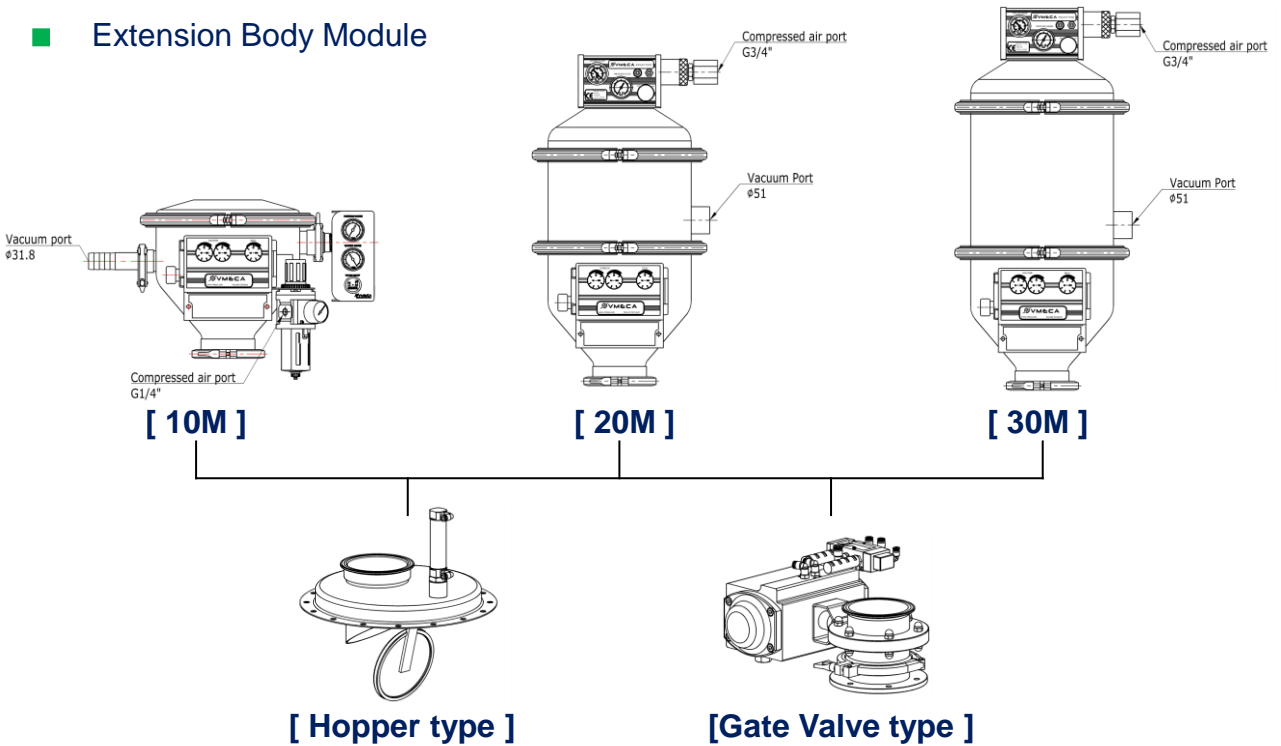


3.3 l / cycle

Structure



Extension Body Module



Specification

Max. vacuum level, vacuum flow, feed pressure

	Model			
	VCC50	VCC100	VCC150	VCC200
Max. vacuum level (-kPa)	75			
Max. vacuum flow (NI/min)	724	1,448	2,172	2,896
Supply air pressure (bar)	7			
Working Temperature (°C)	-20 ~ 80			
Noise level (dBA)	60 ~ 65		68 ~ 76	

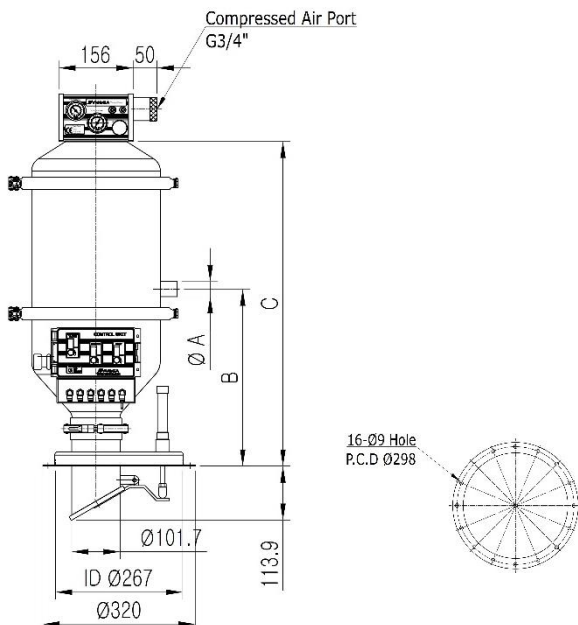
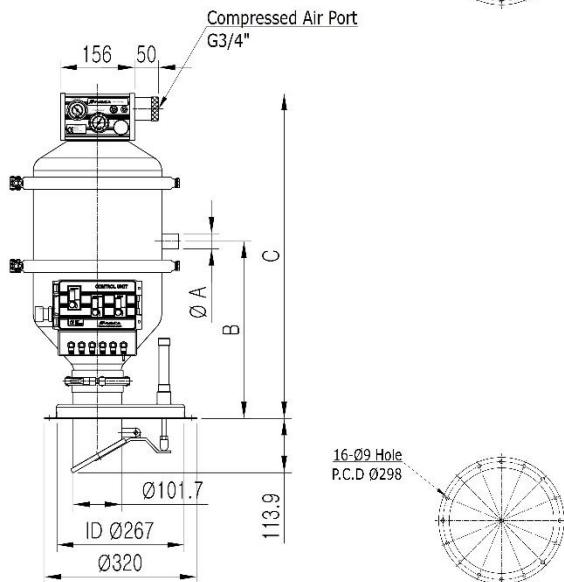
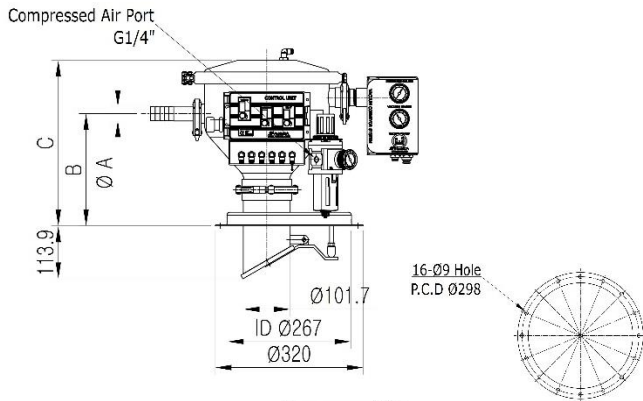
Vacuum flow

MODEL	Max. Vacuum (-kPa)	Feed Pressure (bar)	Air Consumption (NI/min)	Vacuum flow (NI/min) at different vacuum levels (-kPa)							
				0	10	20	30	40	50	60	70
VCC50	60	4	140	604	344	220	140	92	56	13.6	-
	70	5	170	688	392	260	164	100	75	46	23.8
	75	6	208	724	415	308	200	104	76	64	44
VCC100	60	4	280	1,208	688	440	280	184	112	27	-
	70	5	340	1,376	784	520	328	200	150	92	45
	75	6	416	1,448	828	616	400	208	152	128	88
VCC150	60	4	420	1,812	1,032	660	420	276	168	40.6	-
	70	5	510	2,064	1,176	780	492	300	225	138	68.8
	75	6	624	2,172	1,243	924	600	312	228	192	132
VCC200	60	4	560	2,416	1,376	880	560	368	224	54	-
	70	5	680	2,752	1,568	1,040	656	400	300	184	90
	75	6	832	2,896	1,656	1,232	800	416	304	256	176

Conveyor Specification

MODEL	Power Requirement (Pr)	Filter Surface (m ²)	Max. Conveying Capacity (ton/h)	Capacity ton/h at different conveying distance				Rec. Material Pipe Dimension (mm)	Rec. Material Volume (l/cycle)
				8m	13m	23m	33m		
VCC50-10M	2 ~ 4	0.1	0.4	0.4	0.1	-	-	32 / 38 / 51	4
VCC100-10M	3 ~ 6	0.1	0.9	0.9	0.45	0.22	-		
VCC100-20M	3 ~ 6	0.12	0.9	0.9	0.45	0.22	-		
VCC100-30M	3 ~ 6	0.2	0.9	0.9	0.45	0.22	-		
VCC150-20M	4 ~ 8	0.12	1.2	1.2	0.6	0.3	0.15		
VCC150-30M	4 ~ 8	0.2	1.2	1.2	0.6	0.3	0.15		
VCC200-20M	5 ~ 10	0.12	1.5	1.5	0.8	0.4	0.2		
VCC200-30M	5 ~ 10	0.2	1.5	1.5	0.8	0.4	0.2		

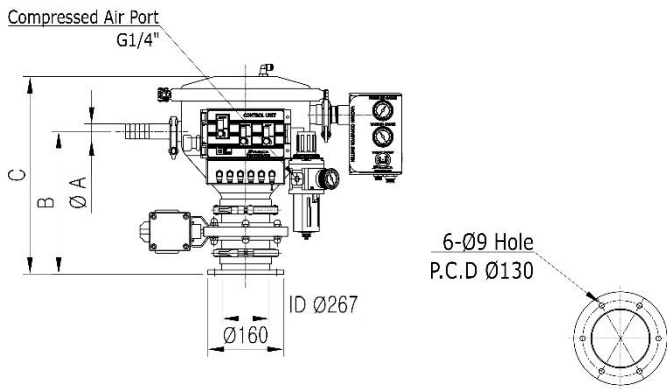
Dimension



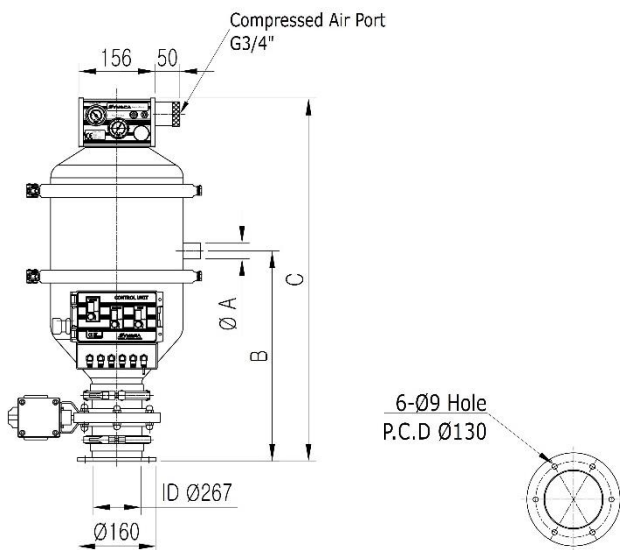
	A	B	C	Weight
VCC50-...10M-...-M-V32	31.8	243	358	19.4kg
VCC50-...10M-...-M-V38	38.1			19.4kg
VCC50-...10M-...-M-V51	50.8			20.1kg
VCC100-...10M-...-M-V32	31.8			19.4kg
VCC100-...10M-...-M-V38	38.1			19.4kg
VCC100-...10M-...-M-V51	50.8			20.1kg

	A	B	C	Weight
VCC100-...20M-...-M-V32	31.8	372	682.5	20.2kg
VCC100-...20M-...-M-V38	38.1			20.2kg
VCC100-...20M-...-M-V51	50.8			20.2kg
VCC150-...20M-...-M-V32	31.8			20.2kg
VCC150-...20M-...-M-V38	38.1			20.2kg
VCC150-...20M-...-M-V51	50.8			20.2kg
VCC200-...20M-...-M-V32	31.8			20.2kg
VCC200-...20M-...-M-V38	38.1			20.2kg
VCC200-...20M-...-M-V51	50.8			20.2kg

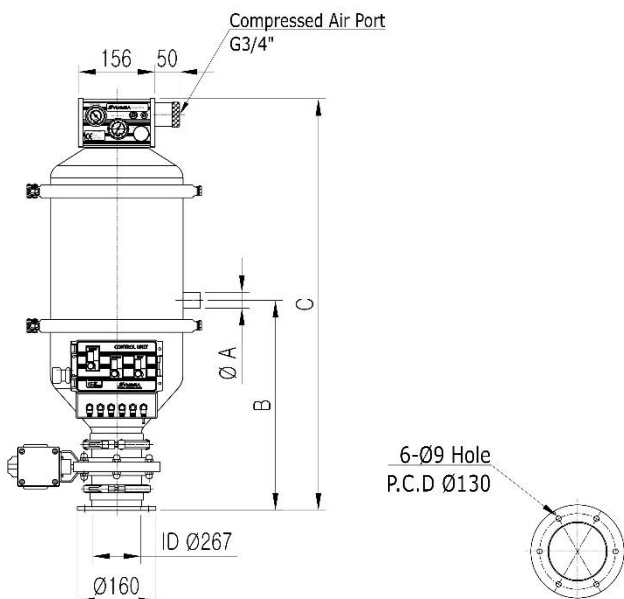
	A	B	C	Weight
VCC100-...30M-...-M-V32	31.8	372	782.5	21.2kg
VCC100-...30M-...-M-V38	38.1			21.3kg
VCC100-...30M-...-M-V51	50.8			21.3kg
VCC150-...30M-...-M-V32	31.8			21.2kg
VCC150-...30M-...-M-V38	38.1			21.3kg
VCC150-...30M-...-M-V51	50.8			21.3kg
VCC200-...30M-...-M-V32	31.8			21.2kg
VCC200-...30M-...-M-V38	38.1			21.3kg
VCC200-...30M-...-M-V51	50.8			21.3kg



	A	B	C	Weight
VCC50-...10M-...-G-V32	31.8	298.5	413.5	25.9kg
VCC50-...10M-...-G-V38	38.1			25.9kg
VCC50-...10M-...-G-V51	50.8			26.5kg
VCC100-...10M-...-G-V32	31.8			25.9kg
VCC100-...10M-...-G-V38	38.1			25.9kg
VCC100-...10M-...-G-V51	50.8			26.5kg



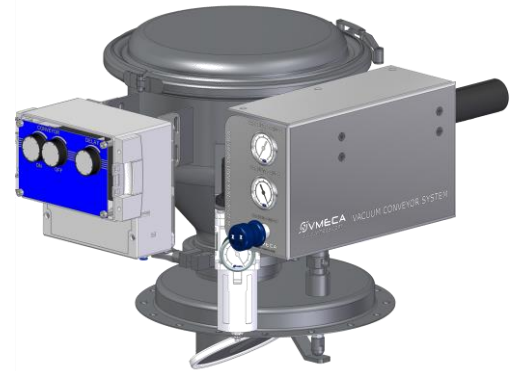
	A	B	C	Weight
VCC100-...20M-...-G-V32	31.8	427.5	738	26.7kg
VCC100-...20M-...-G-V38	38.1			26.7kg
VCC100-...20M-...-G-V51	50.8			26.7kg
VCC150-...20M-...-G-V32	31.8			26.7kg
VCC150-...20M-...-G-V38	38.1			26.7kg
VCC150-...20M-...-G-V51	50.8			26.7kg
VCC200-...20M-...-G-V32	31.8			26.7kg
VCC200-...20M-...-G-V38	38.1			26.7kg
VCC200-...20M-...-G-V51	50.8			26.7kg



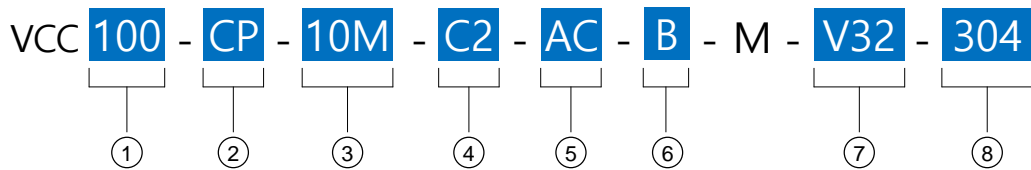
	A	B	C	Weight
VCC100-...30M-...-G-V32	31.8	427.5	838	27.7kg
VCC100-...30M-...-G-V38	38.1			27.7kg
VCC100-...30M-...-G-V51	50.8			27.7kg
VCC150-...30M-...-G-V32	31.8			27.7kg
VCC150-...30M-...-G-V38	38.1			27.7kg
VCC150-...30M-...-G-V51	50.8			27.7kg
VCC200-...30M-...-G-V32	31.8			27.7kg
VCC200-...30M-...-G-V38	38.1			27.7kg
VCC200-...30M-...-G-V51	50.8			27.7kg

Series VCC100 (Hopper type)

Max. vacuum level	: 4 ~ 6 bar (Max 7 bar) (58 ~ 87 psi, Max 101.5 psi)
Max. flow rate	: 280 ~ 416 NI/min (7.4 ~ 29.4 scfm)
Supply air pressure	: 1,448 NI/min
Noise level	: 60 ~ 65 dBA
Steel material	: SUS304 / SUS316L
Sealing material	: Silicone
Working temperature	: - 20 °C ~ + 80 °C
Weight	: 19.4 kg



Build an Ordering No.



① Vacuum pump

Symbol	Description
50	2-Vacuum Cartridges (VCL type)
100	4-Vacuum Cartridges (VCL type)
150	6-Vacuum Cartridges (VCL type)
200	8-Vacuum Cartridges (VCL type)

② Pump exhaust type

Symbol	Description
Blank	Standard type
CP	Concentration exhaust port type

③ Body module

Symbol	Description
10M	Standard type
20M	Standard type + 1 Module(Short)
30M	Standard type + 1 Module(Long)

④ Filter

Symbol	Description
B	Bag Filter, 5 micron
B2	Bag Filter, 0.5 micron
C2	Cartridge Filter, 0.2 ~ 0.5 micron

⑤ Control unit

Symbol	Description
CN	No Control Unit
AC10	Vacuum, Discharge, Delay (Plastic Case)
AC20	Vacuum, Discharge (Plastic Case)
EC1	Vacuum, Discharge, Delay, Injection Valve, 3 Auto Mode, Manual Control With Power On/Off
EC2	Vacuum, Discharge, Delay, Injection Valve, 3 Auto Mode, Manual Control Without Power On/Off

⑥ Blowing valve

Symbol	Description
Blank	Without Blowing Valve (not attached)
B	With Blowing Valve

⑦ Vacuum inlet port size

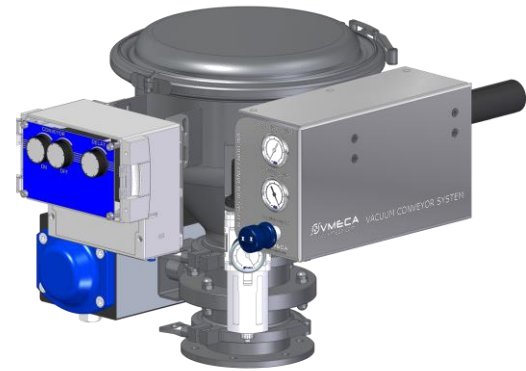
Symbol	Description
V32	Vacuum inlet port size Ø32
V38	Vacuum inlet port size Ø38
V51	Vacuum inlet port size Ø51

⑧ Material

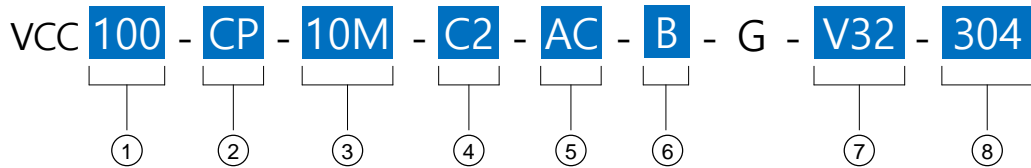
Symbol	Description
304	SUS304
316L	SUS316L

Series VCC100 (Gate Valve type)

Max. vacuum level	: 4 ~ 6 bar (Max 7 bar) (58 ~ 87 psi, Max 101.5 psi)
Max. flow rate	: 280 ~ 416 NI/min (7.4 ~ 29.4 scfm)
Supply air pressure	: 1,448 NI/min
Noise level	: 60 ~ 65 dBA
Steel material	: SUS304 / SUS316L
Sealing material	: Silicone
Working temperature	: - 20 °C ~ + 80 °C
Weight	: 25.9 kg



Build an Ordering No.



① Vacuum pump

Symbol	Description
50	2-Vacuum Cartridges (VCL type)
100	4-Vacuum Cartridges (VCL type)
150	6-Vacuum Cartridges (VCL type)
200	8-Vacuum Cartridges (VCL type)

② Pump exhaust type

Symbol	Description
Blank	Standard type
CP	Concentration exhaust port type

③ Body module

Symbol	Description
10M	Standard type
20M	Standard type + 1 Module(Short)
30M	Standard type + 1 Module(Long)

④ Filter

Symbol	Description
B	Bag Filter, 5 micron
B2	Bag Filter, 0.5 micron
C2	Cartridge Filter, 0.2 ~ 0.5 micron

⑤ Control unit

Symbol	Description
CN	No Control Unit
AC10	Vacuum, Discharge, Delay (Plastic Case)
AC20	Vacuum, Discharge (Plastic Case)
EC1	Vacuum, Discharge, Delay, Injection Valve, 3 Auto Mode, Manual Control With Power On/Off
EC2	Vacuum, Discharge, Delay, Injection Valve, 3 Auto Mode, Manual Control Without Power On/Off

⑥ Blowing valve

Symbol	Description
Blank	Without Blowing Valve (not attached)
B	With Blowing Valve

⑦ Vacuum inlet port size

Symbol	Description
V32	Vacuum inlet port size Ø32
V38	Vacuum inlet port size Ø38
V51	Vacuum inlet port size Ø51

⑧ Material

Symbol	Description
304	SUS304
316L	SUS316L